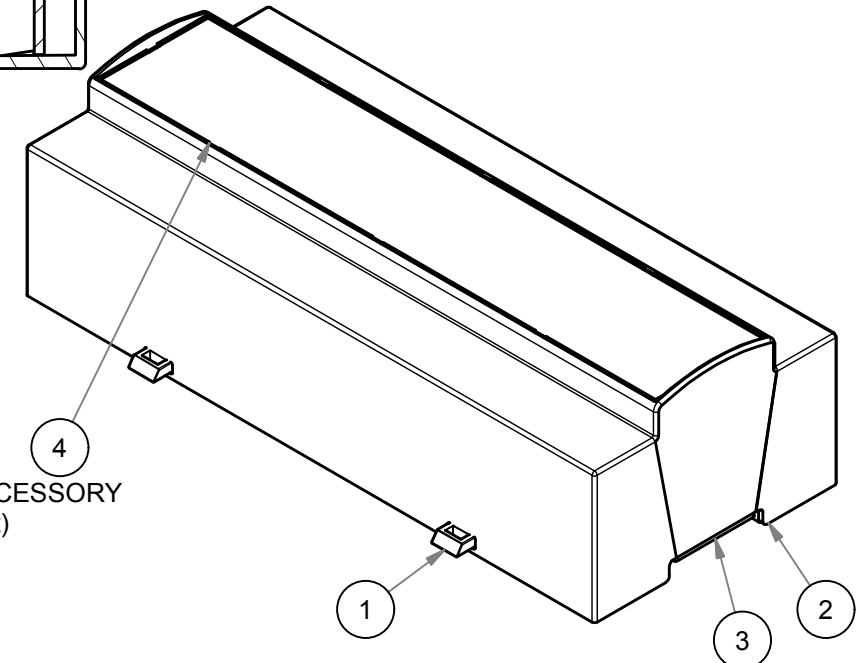
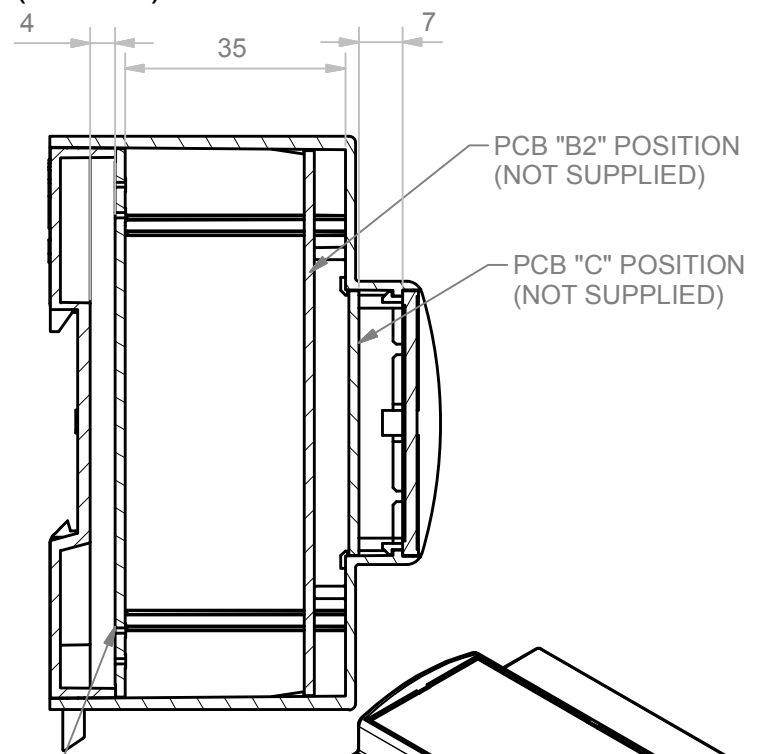


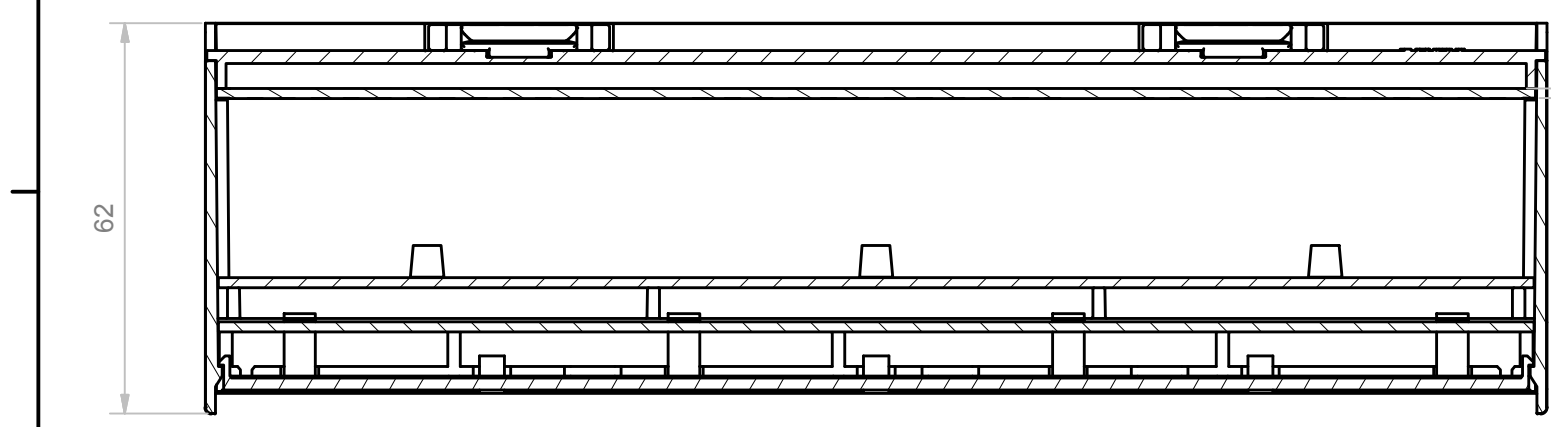
A-A (1 : 1.2)



EXAMPLE OF ACCESSORY (not included in kyt)

B-B (1 : 1.2)

BOARD THICKNESS TYP



RIF.	Q.TY	DESCRIPTION	CODE
1	2	HOOK MODULBOX LONG	M-01900-02
2	1	CORPO CONTENITORE MODULBOX XTS 12M53-C	M-02627-00
3	1	BASE MODULBOX XT/XTS 12M	M-01951-04
4	1	PANNELLO, CON GANCI 12M CON CORNICE	M-01952-03

RESERVED PROPERTY: The present drawing cannot be reproduced or communicated to 3d parties, even partially, without the authorization of ITALTRONIC Srl. Italtronic reserves to protect its own rights according to the law.

GENERAL TOLERANCE	<b>UNI EN 22768/1 Media (m)</b>	Drawn:	Checked:	Revision description
SHEET NR.	Dimension in mm	Drawn by:	Date:	Scale: 1 : 1.2
1 / 1		 Manual modification are not allowed	09/06/2016	Part number:
 UN PARTNER PER IL FUTURO		Denomination: <b>CONTENITORE COMPLETO MODULBOX XTS 12M53-C</b> <b>COMPLETE ENCLOSURE MODULBOX XTS 12M53-C</b>		Drawing nr.
		 <b>ITALTRONIC S.R.L.</b> VIA AUSTRIA 25/D 35127 PADOVA - ITALY <a href="http://www.italtronic.com">www.italtronic.com</a>		<b>M-04141-01</b>

5 4 3 2 1